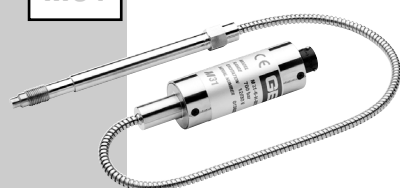


M30



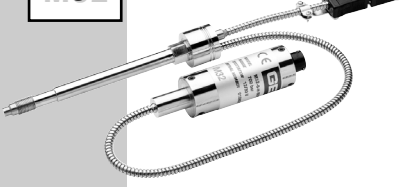
The rigid stem configuration makes installation fast and easy

M31



The flexible configuration is designed for applications requiring further thermal isolation or where installation would be otherwise difficult or impractical

M32



The pressure / temperature configuration requires only one mounting hole for the measurement of both process values

M33



The exposed capillary configuration is ideal to fit in space-restricted locations

Main features

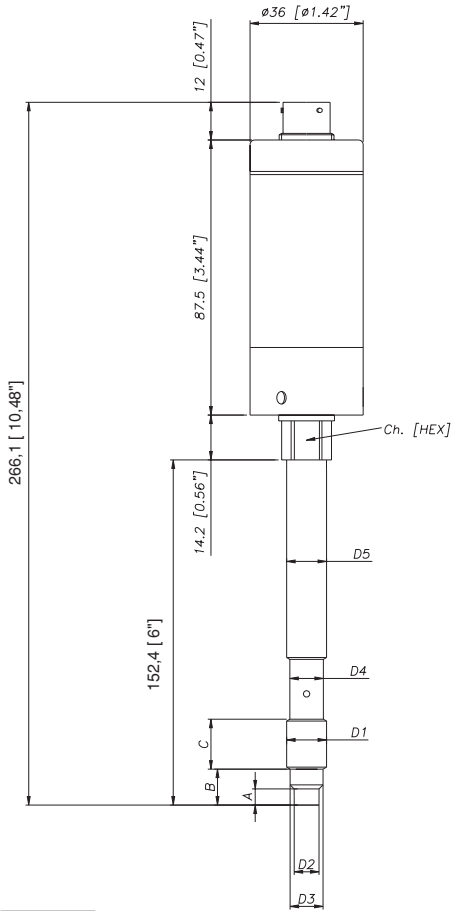
- Pressure ranges from:
0-35 to 0-2000 bar / 0-500 to 0-30000 psi
- Strain gage Wheatstone bridge
- Accuracy :
$\pm 0.25\% \text{ FSO (H)}$; $\pm 0.5\% \text{ FSO (M)}$
- Internally generated 80% calibration signal (R-Cal)
- Fluid-filled system for temperature stability
- Fully interchangeable with all existing brands
- Grade of protection: IP65 (6-pin connector version)
- 1/2-20UNF, M18x1.5 standard threads ; other types available on request
- Standard diaphragm is 15-5 PH stainless steel with Armoloy coating
- 17-7 PH corrugated diaphragm with TiN coating (Titanium Nitride) for ranges below 100bar-1500psi
- Other diaphragms available on request

TECHNICAL SPECIFICATIONS

| | |
|---|--|
| Nominal accuracy including Linearity, Repeatability, Hysteresis | H $\pm 0.25\% \text{ FSO}$ (100...2000 bar) M $\pm 0.5\% \text{ FSO}$ (35...2000 bar) |
| Resolution | Infinite |
| Measurement range | 0..35 to 0..2000bar 0..500 to 0..30000psi |
| Maximum overpressure | 2 x FS 1.5 x FS above 1000bar/15000psi |
| Measurement principle | Strain gage Wheatstone bridge |
| Supply voltage | 6..12Vdc (10Vdc typical) |
| Strain gage bridge resistance | 350 Ohm (550 Ohm below 100bar - 1500psi) |
| Isolation resistance (at 50Vdc) | >1000 MOhm |
| Full Scale Output (FSO) | 2.5 mV/V (option 2) 3.33 mV/V (option 3) |
| Zero balance | $\pm 5\%$ FSO |
| Calibration signal | 80% FSO |
| Strain gauge housing compensated temperature range | 0...+100°C 32...212°F |
| Maximum housing temperature range | -30...+120°C -22...250°F |
| Thermal drift in compensated range Zero/Calibr./Sens. | <math>< 0.02\% \text{ FSO}/^\circ\text{C}</math> <math>< 0.01\% \text{ FSO}/^\circ\text{F}</math> |
| Diaphragm maximum temperature | 400°C 750°F |
| Zero drift due to change in process temperature | 0.02 bar/°C 15 psi/100°F |
| Material in contact with process medium | - Standard 15-5 PH with Armoloy coating 17-7 PH corrugated diaphragm with Titanium Nitride coating for ranges <math>< 100 \text{ bar}</math> (1500psi) |
| Thermocouple (model M32) | STD : type "J" (isolated junction) |
| Protection degree (with 6-pin mating connector) | IP65 |
| Electrical connections | 6-pin Conn. VPT07RA10-6PT (PT02A-10-6P) 8-pin Conn. PC02E-12-8P |

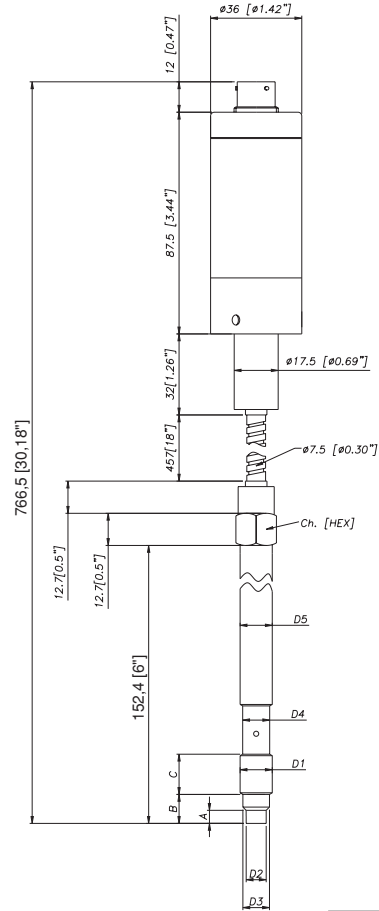
FSO = Full Scale Output (output signal at nominal pressure)

MECHANICAL DIMENSIONS



M30

| | |
|-------|--|
| D1 | 1/2 - 20UNF |
| D2 | $\phi 7.8 - 0.05$ [$\phi 0.31$ " - 0.002"] |
| D3 | $\phi 10.5 - 0.025$ [$\phi 0.41$ " - 0.001"] |
| D4 | $\phi 10.67$ [$\phi 0.42$ "] |
| D5 | $\phi 12.7$ [$\phi 0.5$ "] |
| A | $5.56 - 0.26$ [0.22 " - 0.01"] |
| B | 11.2 [0.44 "] |
| C | 15.74 [0.62 "] |
| Ch | 16 |
| [Hex] | [$5/8$ "] |

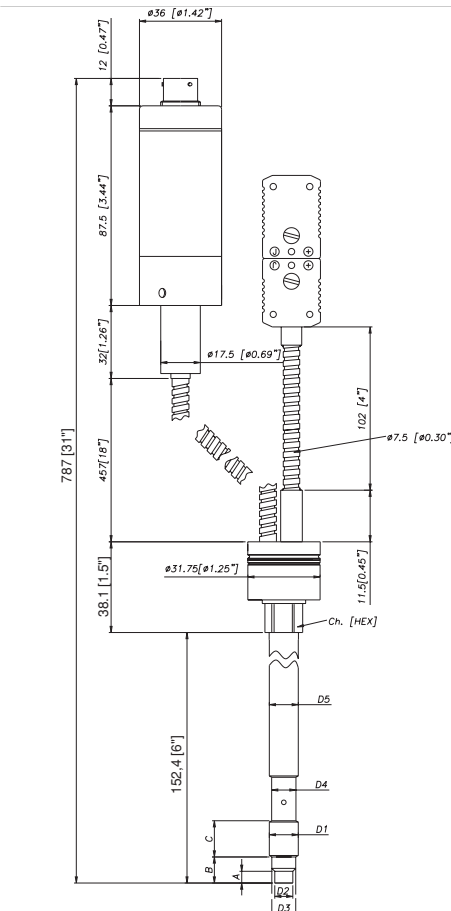


M31

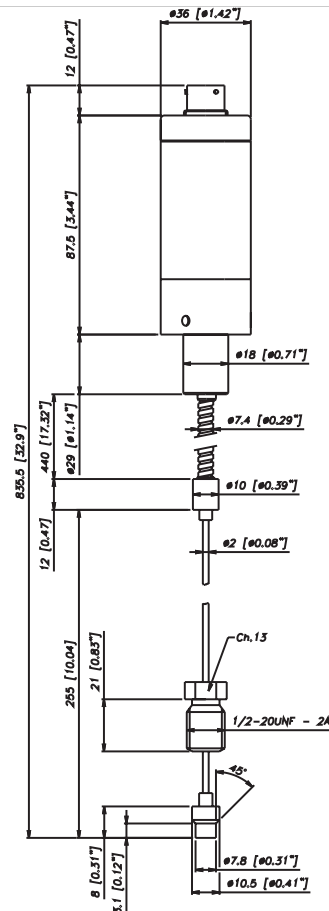
| | |
|-------|--|
| D1 | M18x1.5 |
| D2 | $\phi 10 - 0.05$ [$\phi 0.394$ " - 0.002"] |
| D3 | $\phi 16 - 0.08$ [$\phi 0.63$ " - 0.003"] |
| D4 | $\phi 16 - 0.4$ [$\phi 0.63$ " - 0.016"] |
| D5 | $\phi 18$ [$\phi 0.71$ "] |
| A | $6 - 0.26$ [0.24 " - 0.01"] |
| B | $14.8 - 0.4$ [0.58 " - 0.016"] |
| C | 19 [0.75 "] |
| Ch | 19 |
| [Hex] | [$3/4$ "] |

NOTE :
Dimensions refer to rigid stem length option "4" (153mm - 6")

WARNING :
For installation use a maximum tightening torque of 56 Nm (500 in-lb)



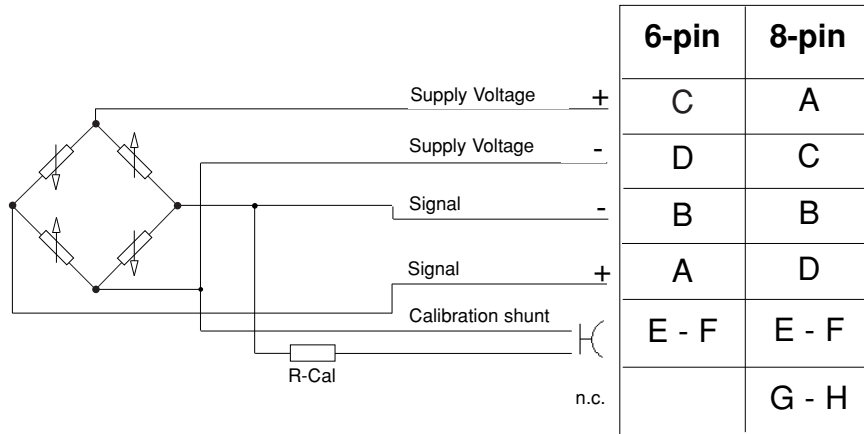
M32



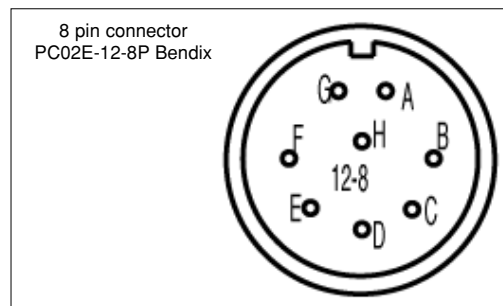
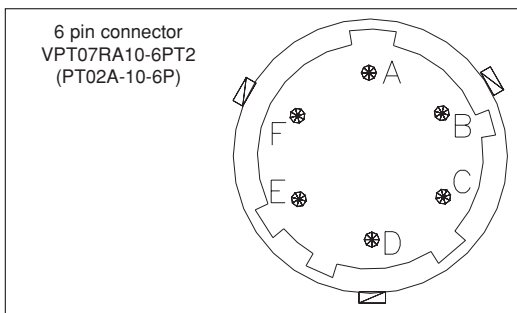
M33

ELECTRICAL CONNECTIONS

mV/V OUTPUT



Shield drain wire is tied to connector via cable clamp



ACCESSORIES

Connectors

- 6-pin mating connector (IP65 protection degree)
- 8-pin mating connector

Extension cables

- 6-pin connector with 8m (25ft) cable
- 6-pin connector with 15m (50ft) cable
- 6-pin connector with 25m (75ft) cable
- 6-pin connector with 30m (100ft) cable
- 8-pin connector with 8m (25ft) cable
- 8-pin connector with 15m (50ft) cable
- 8-pin connector with 25m (75ft) cable
- 8-pin connector with 30m (100ft) cable
- Other lengths

Accessories

- Mounting bracket
- Dummy plug for 1/2-20UNF
- Dummy plug for M18x1.5
- Drill kit for 1/2-20UNF
- Drill kit for M18x1.5
- Cleaning kit for 1/2-20UNF
- Cleaning kit for M18x1.5

Thermocouple for M32 model

- Type "J" (153mm - 6" stem)

CON300
CON307

- C08WLS
- C15WLS
- C25WLS
- C30WLS
- E08WLS
- E15WLS
- E25WLS
- E30WLS
- consult factory

- SF18
- SC12
- SC18
- KF12
- KF18
- CT12
- CT18

TTER 718

| Cable color code | |
|------------------|--------|
| Conn. | Wire |
| A | Red |
| B | Black |
| C | White |
| D | Green |
| E | Blue |
| F | Orange |
| G | n.c. |
| H | n.c. |

