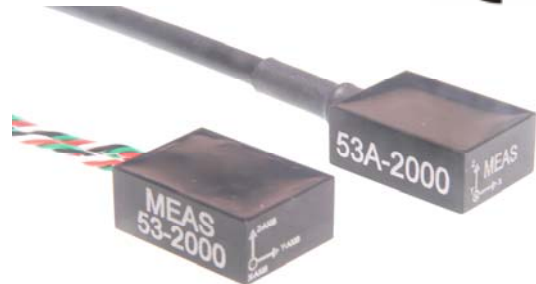


# Model 53 & 53A Accelerometer



Triaxial DC Accelerometer  
Low Cost, High Performance  
 $\pm 50g$  to  $\pm 2000g$  Range  
Low Profile



**The Model 53 Accelerometer** is a small, compact triaxial device designed for vehicle impact and road testing. The accelerometer incorporates gas-damped MEMS sensing elements with mechanical stops for high overload protection. Featuring ranges from  $\pm 50g$  to  $\pm 2000g$  and frequency response to 5000Hz, this sensor is easily mounted in hard to reach places on vehicles under test.

## FEATURES

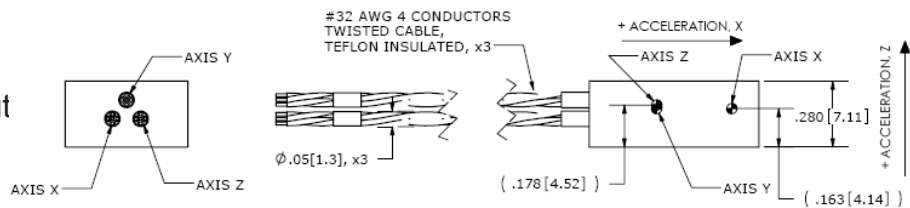
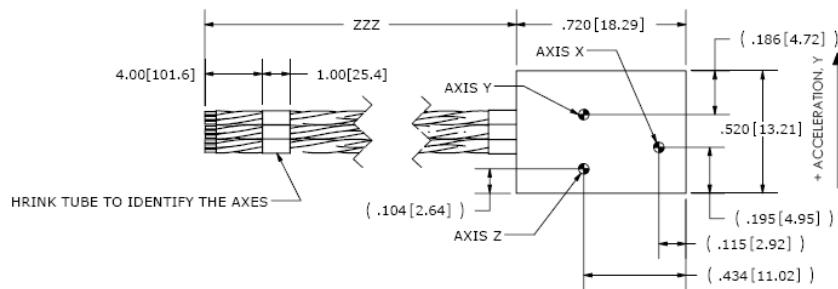
- -20 to +85°C Operating Range
- 2-10 Vdc Excitation
- $\pm 50$  mV Zero Measurand Output
- Gas Damping
- Mechanical Overload Stops
- Designed for Adhesive Mounting

## APPLICATIONS

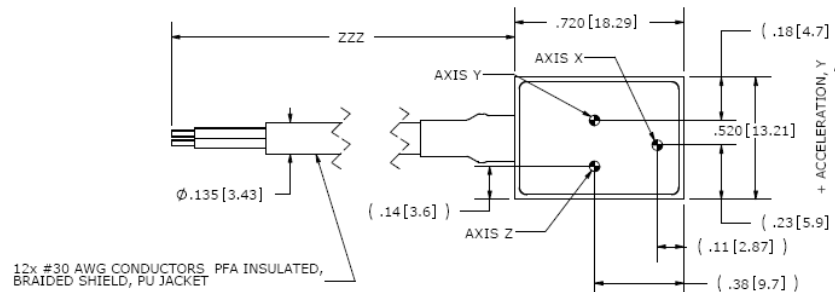
- Crash Testing
- Impact Testing
- Off Road Testing
- Vehicle Testing

## dimensions

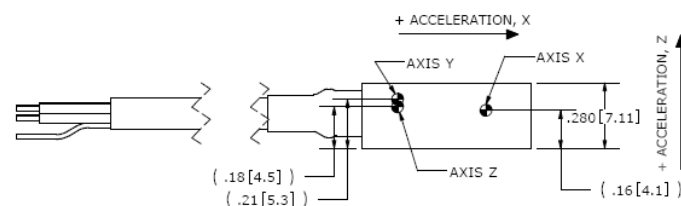
### 53 Dimensions



### 53A Dimensions



12x #30 AWG CONDUCTORS, PFA INSULATED, BRAIDED SHIELD, PU JACKET



# Model 53 & 53A Accelerometer

## performance specifications

All values are typical at  $\pm 24^{\circ}\text{C}$ , 100 Hz and 10 Vdc excitation unless otherwise stated. Measurement Specialties reserves the right to update and change these specifications without notice. Standard product parameters are described in PSC-1004 for Plug & Play DC Accelerometers.

### Parameters

#### DYNAMIC

	$\pm 50$	$\pm 200$	$\pm 500$	$\pm 2000$	Notes
Range(g)	$\pm 50$	$\pm 200$	$\pm 500$	$\pm 2000$	
Sensitivity (mV/g)	2	0.9	0.4	0.15	Ratiometric to Exc Voltage
Frequency Response, Z Axis (Hz)	0-1000	0-2000	0-3000	0-4500	$\pm 1\text{dB}$
Frequency Response, X & Y Axis (Hz)	0-500	0-1000	0-1500	0-2500	$\pm 1\text{dB}$
Resonant Frequency (Hz)	4000	8000	15000	26000	
Damping Ratio	0.5	0.5	0.3	0.05	Typical
Shock Limit (g)	5000	5000	5000	5000	
Non-Linearity (% FSO)	$\pm 1$	$\pm 1$	$\pm 1$	$\pm 1$	Of Reading
Transverse Sensitivity (%)	<3	<3	<3	<3	

#### ELECTRICAL

Zero Acceleration Output (mV)	$<\pm 50$	$<\pm 50$	$<\pm 50$	$<\pm 50$
Excitation (Vdc)	2 to 10	2 to 10	2 to 10	2 to 10
Input Resistance ( $\Omega$ )	2400-6000	2400-6000	2400-6000	2400-6000
Output Resistance ( $\Omega$ )	2400-6000	2400-6000	2400-6000	2400-6000
Insulation Resistance ( $M\Omega$ )	>100	>100	>100	>100
Residual Noise ( $\mu\text{V RMS}$ )	<10	<10	<10	<10
Ground Isolation	Isolated from Mounting Surface			

#### ENVIRONMENTAL

Thermal Zero Shift (%FSO/ $^{\circ}\text{C}$ (%FSO/ $^{\circ}\text{F}$ ))	$\pm 0.05 (\pm 0.03)$			From 0 to $+50^{\circ}\text{C}$
Thermal Sensitivity Shift (%/ $^{\circ}\text{C}$ (%/ $^{\circ}\text{F}$ ))	$-0.20 \pm 0.05 (-0.11 \pm 0.03)$			From 0 to $+50^{\circ}\text{C}$
Operating Temperature ( $^{\circ}\text{C}$ ( $^{\circ}\text{F}$ ))	-20 to +85 (-4 to +185)			
Storage Temperature ( $^{\circ}\text{C}$ ( $^{\circ}\text{F}$ ))	-40 to +90 (-40 to +194)			
Humidity	Epoxy Sealed, IP65			

#### PHYSICAL

Case Material	Anodized Aluminum			
Cable, Model 53	#32 AWG Twisted Conductors, Teflon Insulated			
Cable, Model 53A	#30 AWG Conductors PFA Insulated, Braided Shield, PU Jacket			
Weight (grams)	3.5			Without cable
Mounting	Adhesive			

**Calibration supplied:** CS-FREQ-0100 NIST Traceable Amplitude Calibration from 20Hz to  $\pm 1\text{dB}$  Frequency Response Limit

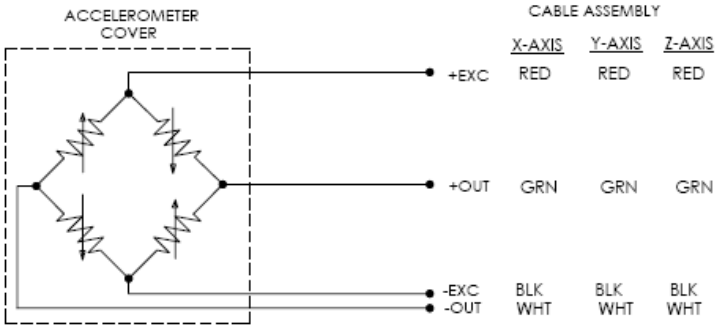
**Optional accessories:** 101 Three Channel DC Signal Conditioner Amplifier

The information in this sheet has been carefully reviewed and is believed to be accurate; however, no responsibility is assumed for inaccuracies. Furthermore, this information does not convey to the purchaser of such devices any license under the patent rights to the manufacturer. Measurement Specialties, Inc. reserves the right to make changes without further notice to any product herein. Measurement Specialties, Inc. makes no warranty, representation or guarantee regarding the suitability of its product for any particular purpose, nor does Measurement Specialties, Inc. assume any liability arising out of the application or use of any product or circuit and specifically disclaims any and all liability, including without limitation consequential or incidental damages. Typical parameters can and do vary in different applications. All operating parameters must be validated for each customer application by customer's technical experts. Measurement Specialties, Inc. does not convey any license under its patent rights nor the rights of others.

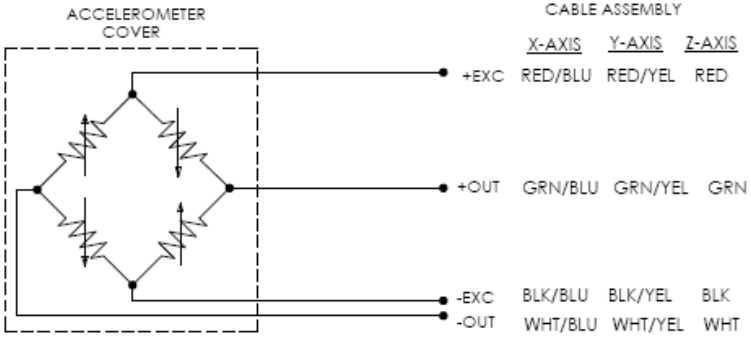
# Model 53 & 53A Accelerometer

## schematic

### 53 Schematic



### 53A Schematic



## ordering info

PART NUMBERING Model Number+Range+Cable Length

53-GGGG-CCC-XX

| | | Options (leave blank otherwise)  
| | Cable (360 is 360 inches)  
| Range (0500 is 500g)

Example: 53-0500-360  
Model 53, 500g, 360" (30ft) Cable

53A-GGGG-CCC-XX

| | | Options (leave blank otherwise)  
| | Cable (360 is 360 inches)  
| Range (0500 is 500g)

Example: 53A-0500-360  
Model 53A, 500g, 360" (30ft) Cable